

MW antenna tuning unit 1332 kHz, 100 kW

Lahore (Pakistan)



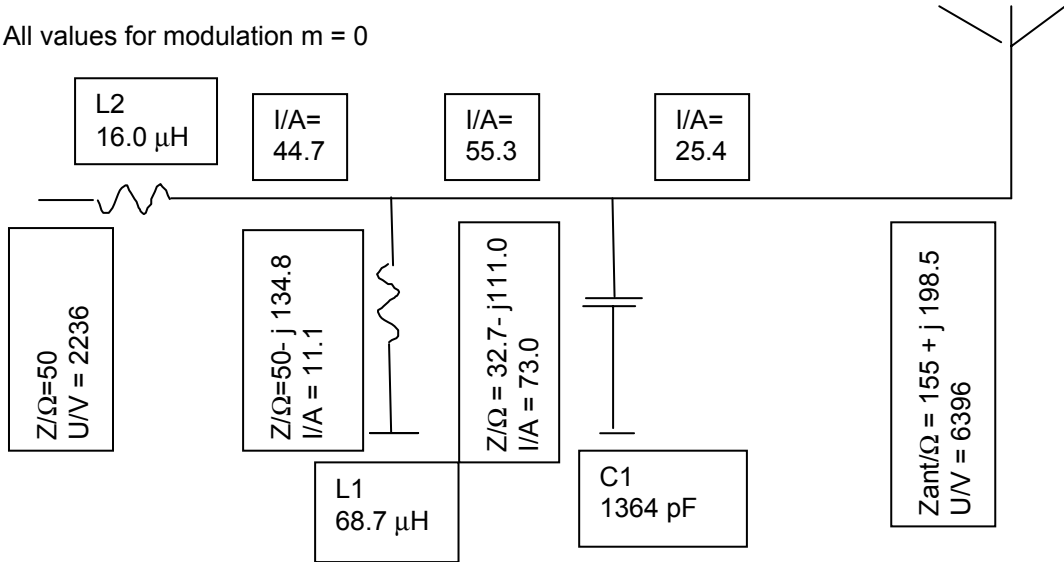
Technical Report

MW antenna tuning unit 1332 kHz, 100 kW

Lahore (Pakistan)

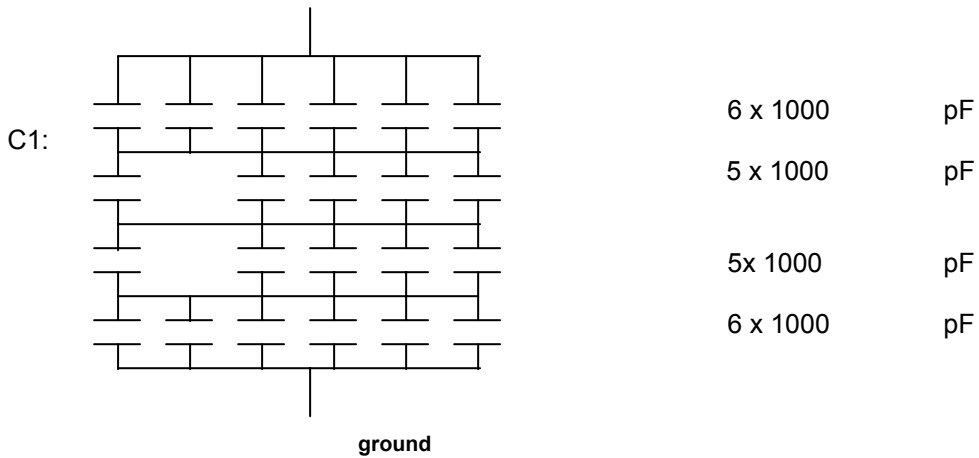
Antenna tuning unit, f = 1332 kHz, 100 kW (Technical data)

All values for modulation m = 0



antenna tuning unit:

L1:	n= 11.25	68.7 μH	575 Ω
L2:	n= 6.25	16.0 μH	134.8 Ω
C1:	5x1000 pF in parallel in series	1364 pF	- 87.6 Ω
	6x1000 pF in parallel in series		
	6x1000 pF in parallel		



MW antenna tuning unit 1332 kHz, 100 kW

Lahore (Pakistan)

Impedance at the output of the transmitter.

f/kHz	R/ Ω	j X/ Ω
1332	52	1.3
1335	50	0
1337	50	0
1329	53	-2.6
1327	54	-2.6